

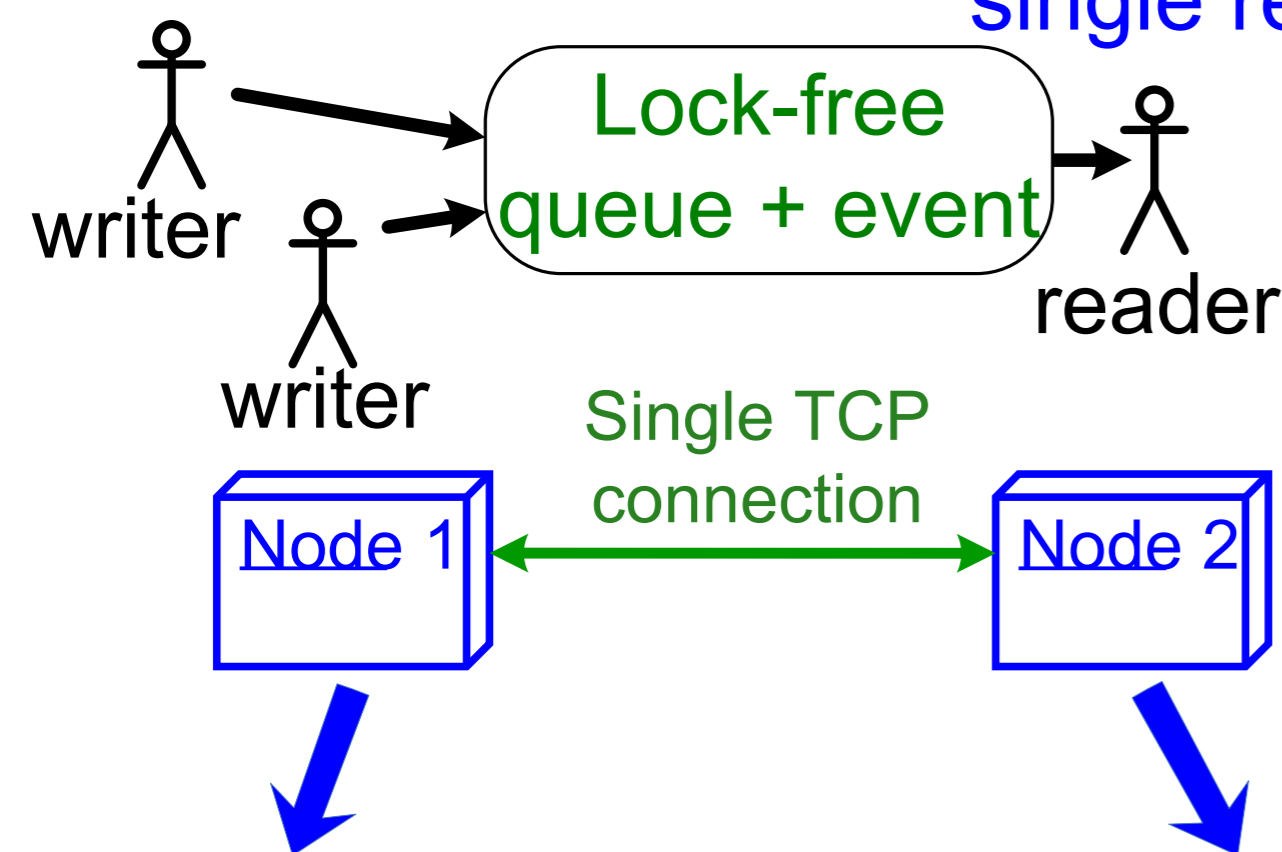


Saint-Petersburg University, Russia

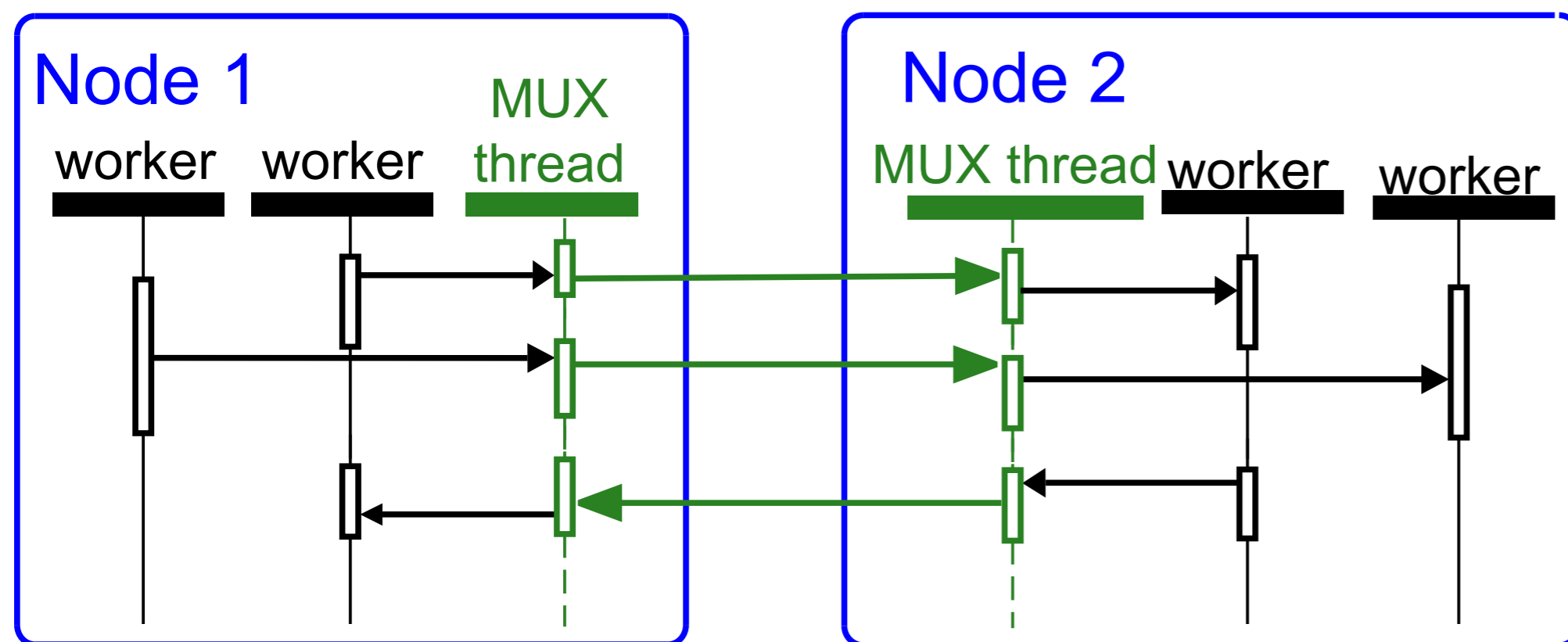
Team SPBU: George Chernishev, Kirill Smirnov

Multiple writers (50)

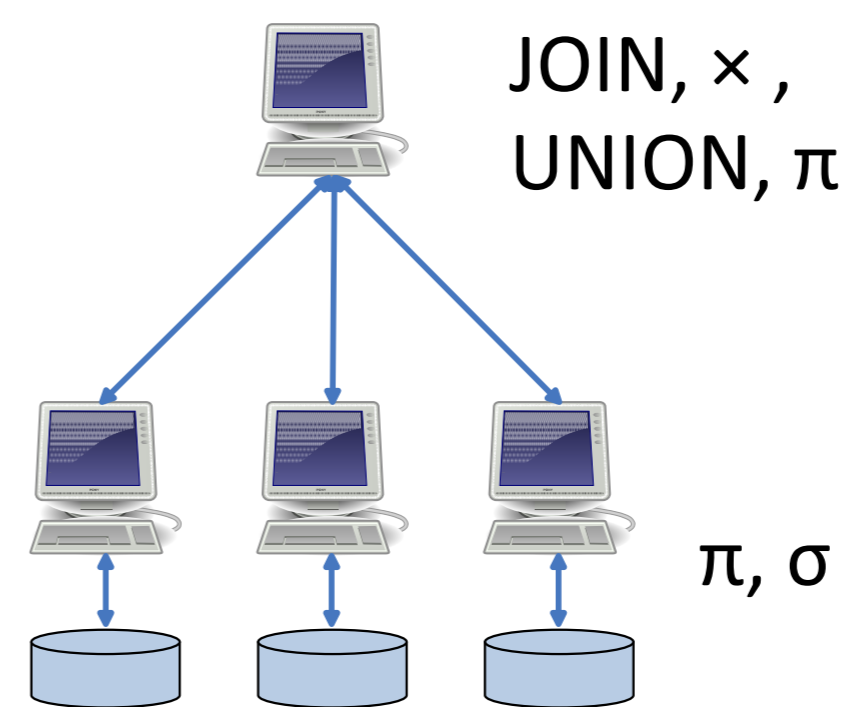
Event-driven single reader



- Single TCP connection
- Thread pool for indexed lookups
- Lock-free interaction
- Socket/event MUX



High-Level Aspects



- Pipelined query execution
- Master node is responsible for complex operations
- Slave nodes perform only scans and projections

Local Reduction

- Predicate clean-up
- Restriction propagation

Join Operation

- In-operation caching
- Sort one result, probe with another
- Tend to sort full result (to sort once)

Plan Generation

- Try to push down selects with indexed field
- Join indexed field with indexed (to fit in op cache)